



FEATURES

- ◆ Compatible with most video sources
- ◆ Draws and points over video to easily direct audience attention
- ◆ Control Pointmaker or PC from digitizing tablet
- ◆ Standard Pointmaker Features:
 - Freehand drawing
 - 12 pointer types
 - 3 line widths
 - 7 colors

PRODUCT OVERVIEW

MAKE YOUR POINT WITH EASE. Take advantage of the Pointmaker PVI-83 multiple-sync video marker to focus audience attention in your next presentation. Using multiple colors, you can: 1) Draw on video images as easily as you would use a pen, 2) Point to areas the audience might miss, and 3) Create Labels where only words will do. The annotation resolution is 1024 which allows for more precise detailed markings and compliments the video. Connected between a video source and monitor, the Pointmaker puts these powerful features at your finger tips, helping you drive home your point and draw attention to where it's needed most.

COMPATIBLE with most document cameras, VCRs, laser disc players, video cameras, slide to video converters, videoconferencing codecs, or other visual sources. Also compatible with most Macintosh and PC computer standards. PC compatibility includes many nonstandard video scan rates offered in Windows® 95/98, NT, 2000, and XP. The PVI-83 is also now compatible with component video both SDTV and HDTV, most resolutions up to 1080p.

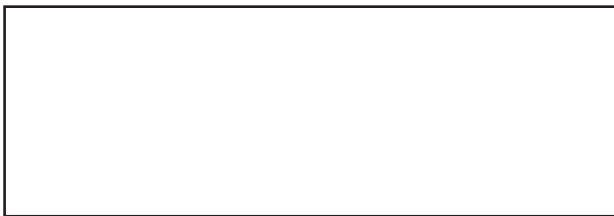
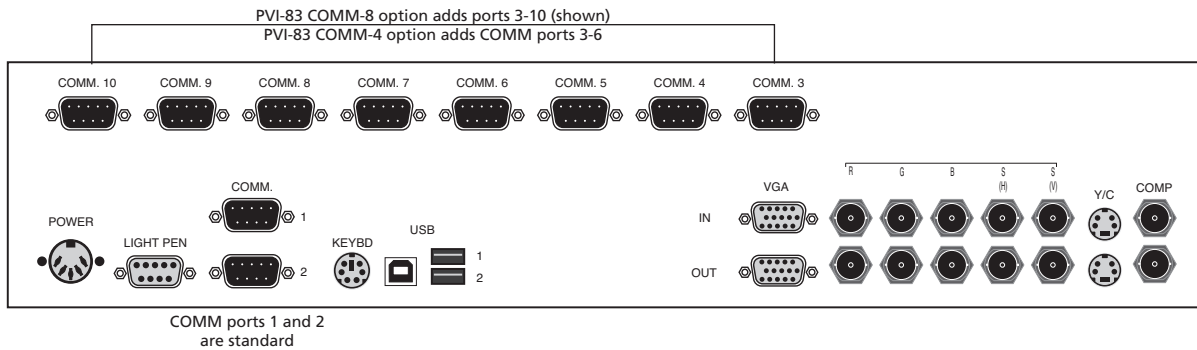
EASY CONTROL. Draw and point directly on the monitor with an RS-232 digitizing tablet (PVI-83DR), USB digitizing tablet (PVI-83DU), and/or RS-232 or USB compatible touch screen. Ask about the PVI-83 COMM option that allows up to 10 digitizing tablets or touch-screens to be used in one setting. The PVI-83 comes standard with a keyboard.

PVI-83 SPECIFICATIONS

VIDEO INPUT/OUTPUT

Composite (BNC x 1)	1.0Vp-p, 75 ohms, sync negative NTSC video @ 15.734 kHz, PVI-83C with PAL video @ 15.675 kHz.
RGB (BNC x 3)	0.7Vp-p, 75 ohms, VGA (selected rates 31.5 to 37.9 kHz) or Macintosh (selected rates 35.5 to 49.7 kHz). SVGA (selected rates 35.3 to 106.3 kHz). Also some nonstandard DEC, Apollo, SGI, and IBM rates. Most resolutions up to 1600 x 1200. YUV (selected rates 31.5 to 106.3) SDTV & HDTV (most resolutions up to 1080p)
Sync (BNC x 1) or (BNC x 2)	Composite sync; horizontal: 0.2 to 4.0Vp-p, 2200 ohms; vertical: TTL level. Separate horizontal and vertical sync; horizontal: 0.2 to 4.0Vp-p, 2200 ohms; Composite, VGA, SVGA or Macintosh (and some nonstandard); vertical: TTL level.
Y/C (4-pin mini-din)	Y: 1.0Vp-p, 75 ohms; C: 0.286Vp-p (burst), 75 ohms.
VGA (15-pin HD)	Video signal: RGB 0.7Vp-p analog; selected rates 31.5 to 106.3 kHz. Most resolutions up to 1920 x 1200; Separate horizontal and vertical sync signal (TTL level positive/negative).
MAC (DB-15)	Macintosh color video: RGB 0.7Vp-p; Separate horizontal and vertical sync signal (TTL level negative); selected rates 35.5 to 49.7 kHz.
BANDWIDTH	Video signal: 400 MHz.
POWER SOURCE	100-120/200-240 VAC (50/60 Hz)
CURRENT	.5 AMP/.25 AMP
POWER CONS.	50/60 watts
OPERATING TEMP.	34° F to 131° F (0° C to 55° C).
DIMENSIONS	Standard 17.0" (W) x 3.75" x 14.0" (D) 43.2 cm x 9.5 cm x 35.6 cm rack-mount option 19.0" (W) x 3.5" (H) or two rack units x 14.0" (D) 48.3 cm x 8.9 cm x 35.6 cm
WEIGHT	approximately 9 lbs. (4.05 Kg)
WARRANTY	One (1) year parts and labor.

BACK PANEL



... "add a little zap to your presentation."™



Boeckeler Instruments, Inc.

4650 S. Butterfield Drive • Tucson, Arizona 85714 USA

Phone: 520.745.0001 • Fax: 520.745.0004 • E-mail: info@boeckeler.com • www.pointmaker.com

© 2008 Boeckeler Instruments, Inc. Boeckeler is a registered trademark of Boeckeler Instruments, Inc., Tucson, Arizona. All other trademarks are the property of their respective owners. All specifications subject to change without notice.